

LUMINAIRE

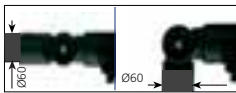
Vialia Evo

ILNBT34LED40

LED

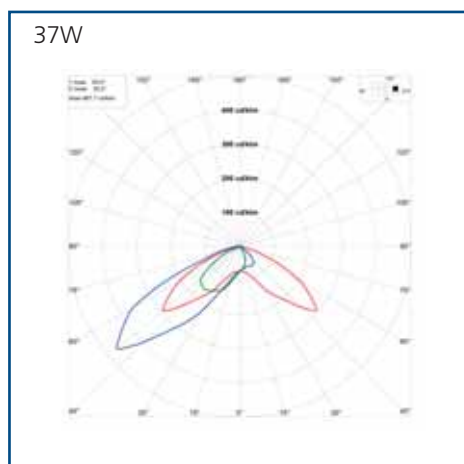
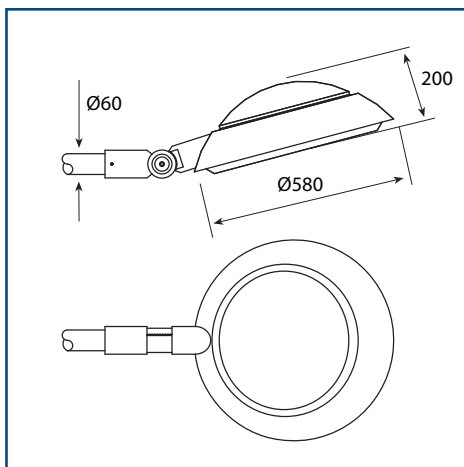


Fixing: Side-Top fixing.



Desing: Carlos Martín, 2006 © Fundició Dúctil Benito.

REGISTERED COMMUNITY DESIGN



CHARACTERISTICS

Use: With posts up to 6 metres high.

Body: Injected aluminium. Microtextured black colour finished.

Diffuser: Flat toughened glass.

Fixing: Side-post fixing Ø60mm.

Protection class: IP44 (luminaire) IK 10.

Light source: 30 LED's.

Total power: 37W.

Useful life: 30,000h.

Inst. upper flux fraction: <1%.

Out power	n° LEDS	Light outflow	FHS	Protection level		
				optical block	luminaire	strongness
37W	30	2900 lm	<1%	IP66	IP44	IK10

Luminaire certified by
EN-60598 / Applus[®]

Effective surface area projected into de wind, m²: 0'116.

Weight of luminaire: 11'1 kgs.