

LUMINAIRE

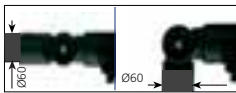
**Vialia Evo**

ILNBT34LED16x5

**LED**



Fixing: Side- Top fixing.



Desing: Carlos Martín, 2006 © Fundició Dúctil Benito.

REGISTERED COMMUNITY DESIGN

CHARACTERISTICS

Use: With posts up to 6 metres high.

Body: Injected aluminium. Microtextured black colour finished.

Diffuser: Flat toughened glass.

Fixing: 60mm Ø post-top fitting.

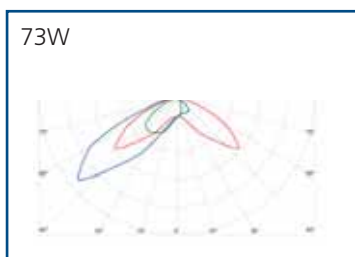
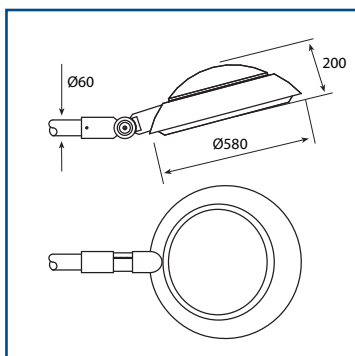
Protection class: IP44 (luminaire) IK 10.

Light source: 16 LED's.

Total power: 73W.

Useful life: 30,000h

Inst. upper flux fraction: <1%.



Reference	Out power	n° LEDS	Light outflow	FHS	Protection level		
					optical block	luminaire	strongness
ILNBT34LED16X5	73W	16	6200 8000 (XP-G)	<1%	IP66	IP44	IK10
ILAKLED30S*	73W	16	6200 lm 3700 lm				

Effective surface area projected into de wind, m<sup>2</sup>: 0'116.

Weight of luminaire: 13'8 kgs.

Luminaire certified by  
**EN-60598 / Applus<sup>®</sup>**