



2+



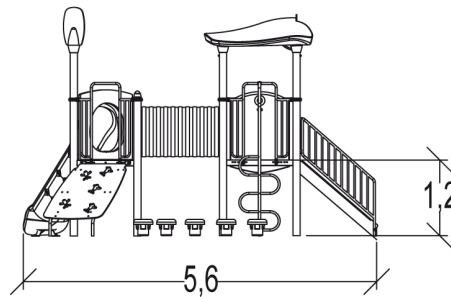
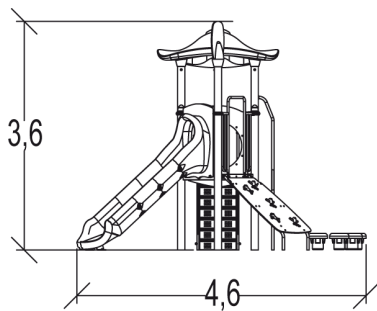
19



1,5m



1 = 5,6m 2 = 4,6m 3 = 3,6m



Play value

climbing



x1

sliding



x1

crawling



x1

climbing



x2

meeting / role play



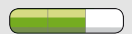
x3

Number of play elements: 8

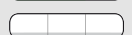
Accessibility



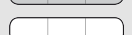
Motor disability

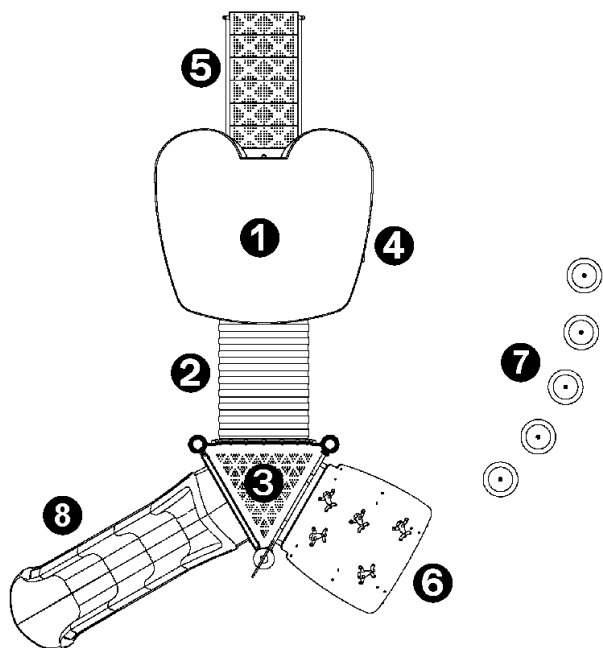


Sensorial Disabilities



Learning Disabilities



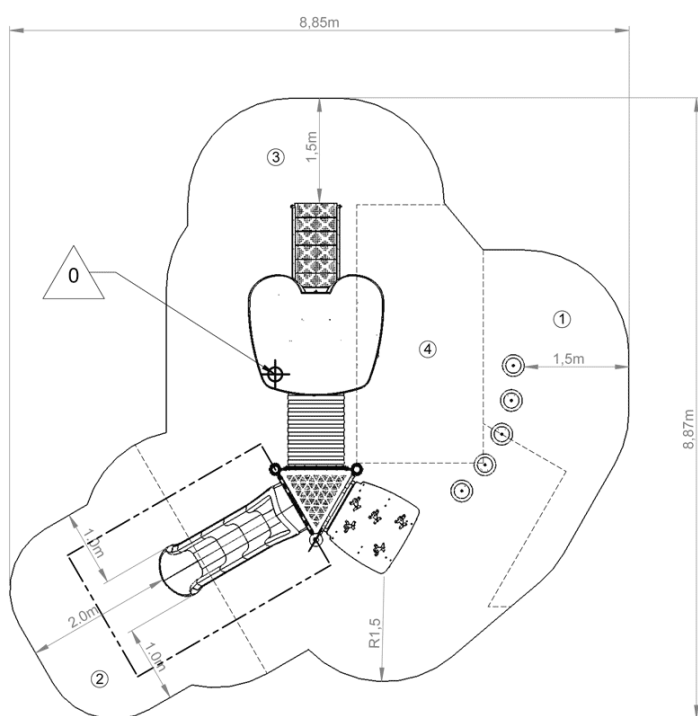


- ① plate-forme carrée toit Ht : 1,20 m
- ② tunnel
- ③ plate-forme totem triangulaire Ht : 1,20 m
- ④ mât à grimper Ht : 1,20 m
- ⑤ escalier plate-forme Ht : 1,20 m
- ⑥ plan incliné Ht : 1,20 m
- ⑦ plot d'équilibre
- ⑧ toboggan droit Ht : 1,20 m

Installation of equipment

Impact area =

- Impact area
- Free space



1	0,6m	7m ²
2	1m	8,5m ²
3	1,2m	28m ²
4	1,5m	6,5m ²



4



07h00



0.45m³



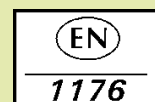
50m²



384kg



54kg



Proludic

0000-00-00