



3+



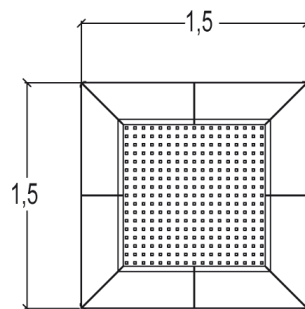
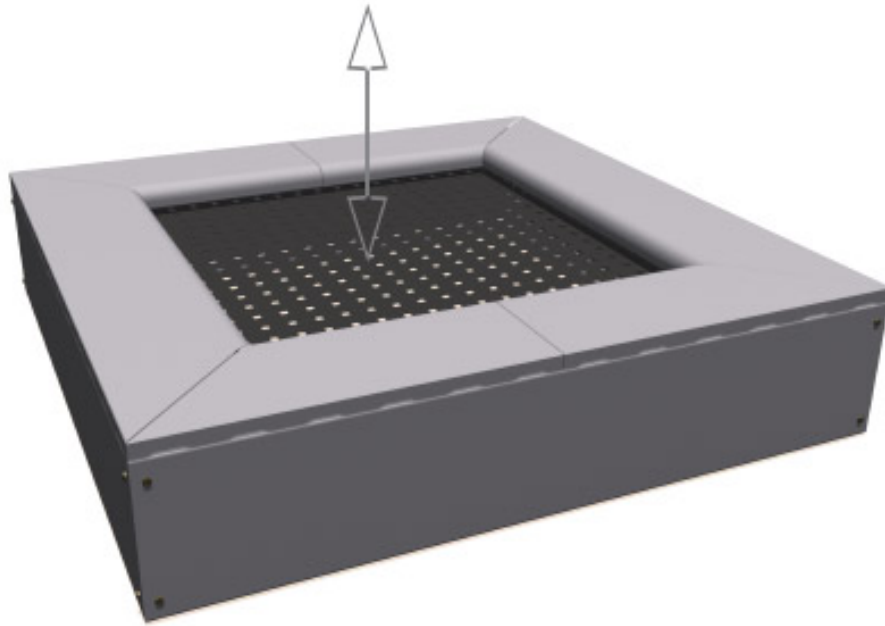
1



0,6m



1 = 1,5m 2 = 1,5m 3 = 0m



### Play value

balancing



meeting / role play



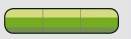
### Accessibility



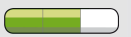
Motor disability

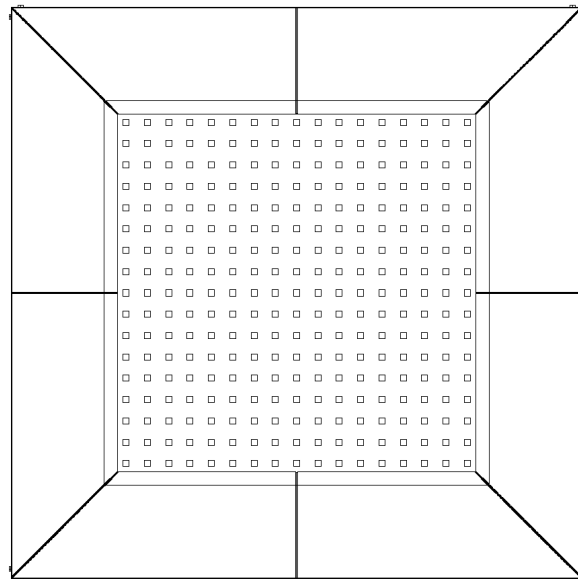


Sensorial Disabilities



Learning Disabilities

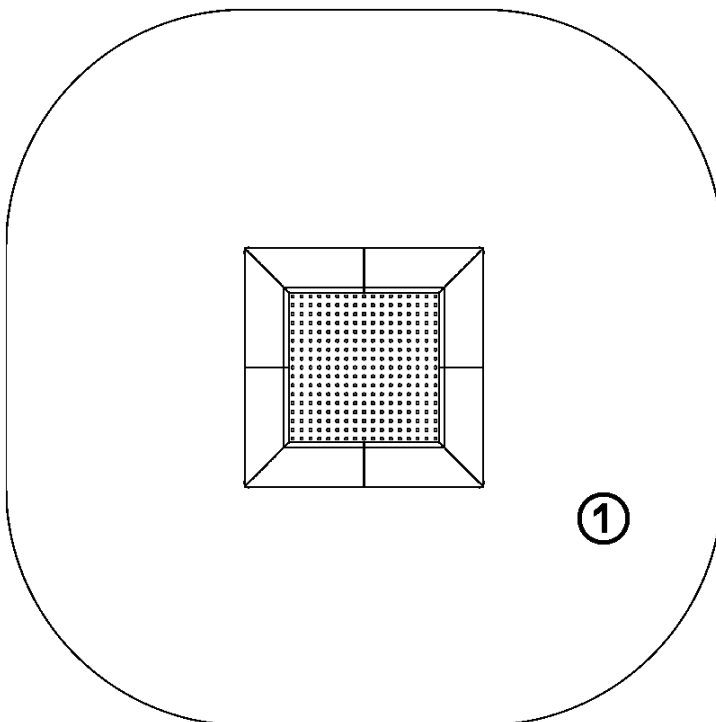






## Installation of equipment

Impact area =

-  Impact area
-  Free space



		
1	<0,6m	16,1m <sup>2</sup>



0



00h00



0m<sup>3</sup>



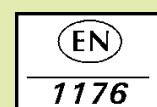
16.1m<sup>2</sup>



115kg



-



*Proludic*

2013-03-11